

# HSAJET® MiniTouch MTHP4

Touch Controller ideal for integration on  
packaging lines - webs - inserters  
- folders - collators

## HP TIJ 2.5 technology

The HSAJET® MiniTouch is based upon reliable HP TIJ 2.5 technology which delivers consistent, high-quality, fast printing, exceptional value, and ease of use.

## Robust design

The elegant black aluminium-casing underlines the robust design making it perfect for installation in production environments.

The USB port is found on the side of the MiniTouch. A small cover protects it when not in use.

## 5.7" Touch Interface

Use the touch pen or simply a pointed finger to control the MiniTouch. Illustrative, easy to understand, icons lead users through all phases of building a print job making printing simple and fast.

## Easy to integrate and use

With its small size, the controller fits where you want it. With the printheads mounted externally the printer can be used for downprint as well as sideprint. The compact version (MiniTouch and side/low printhead) gives you controller and printhead in one unit making it ideal for side printing eg. on boxes.

## Choose from ½"-2" printheight

The HSAJET® MiniTouch MTHP4 can control up to 2" print height. Mount the controller directly on a one or two pen printhead (side/low version) for a compact version or utilize the flexibility of the MiniTouch to connect up to 4 pens to the controller, either as single heads or with a distributor box in a combination of 1, 2, and 3-pen printheads.



## No time between prints

While the first print is being executed you are able to setup the next layout for printing. Once the first layout has been printed you can execute the prepared layout right away.

## Advanced administrator options in software

A flexible user level management can guarantee that the correct data is printed. You are also able to grant user rights as desired and protect by a unique password. In addition content may be filled by a user prompt which optionally must be validated by a different user for guaranteed accuracy.

The controller is preloaded with a wide range of menu languages, as well as localized month- and day names.

## Print at breakthrough speeds of up to 300 m/min (984 ft/min) in 300 x 150 dpi

- GRAPHICS
- TEXT (ALPHANUMERICAL)
- COUNTERS
- PRINTLOG
- SHIFT CODES
- LINEAR & 2D BARCODES\*
- DATE & TIME (REAL-TIME & ADJUSTED)
- WINDOWS FONTS

\* For information on specific barcodes please go to [www.hsasystems.com](http://www.hsasystems.com)

# Technical Details



## HSAJET® MINITOUCH MTHP4

### Technology

HP TIJ 2.5

### Printhead frequency

15 KHz

### Print height

50.8 mm / 2"

1, 2, 3 or 4 pen printheads

### Print head distance

0.5-2.0 mm

(nozzle to print surface)

### Voltage

100-240 VAC

### Memory

2 GB internal

### Screen

5.7" Touch Screen

### Design software

MiniDraw (PC) or on controller

### Software menu language

English (multiple languages)

### Print functionalities, eg.

User prompt

User defined print log

### Print features

Variable DPI

Left/Right, Upside-down

Other side, Bidirectional

Mirrored

### Layout features

Max. length 65000 px

(~277 cm in 600 DPI)

Object rotation in 90 deg interval

Works with mm/inch/point/pixel

### Interface

RS232 (serial)

100 Mbit Ethernet (LAN)

USB 2.0

Control connection (SUB D15)

Encoder Input 3-33V (SUB D9)

Product Sensor 3-33V (SUB D9)

### Signals

Low ink signal

Print signal

Print message signal

Signal-generator

Vertical resolution (DPI)	Horizontal resolution 75-2400 DPI (variable) speed examples (m/min)			
	75 DPI	300 DPI	600 DPI	2400 DPI
600 DPI	304	76	38	10
300 DPI high speed	608	152	76	19
300 DPI (row A)	304	76	38	10
300 DPI (row B)	304	76	38	10

### Complies to

CE directives

### Housing

Black powder coated aluminium

### Weight

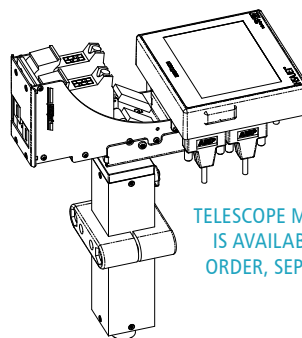
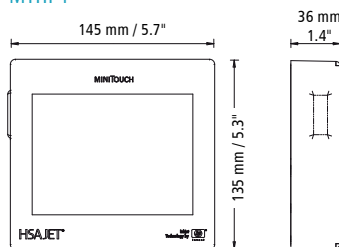
MTHP4: 0.8 kg / 1.8 lbs

Power Supply: 1.5 kg / 3.3 lbs

### Accessories

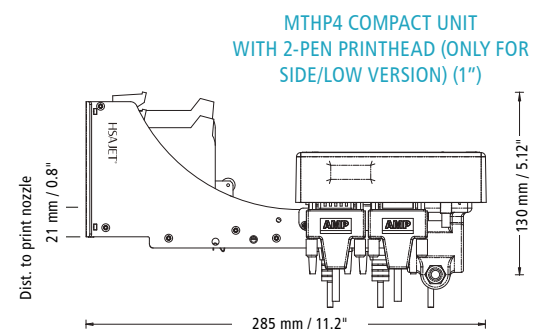
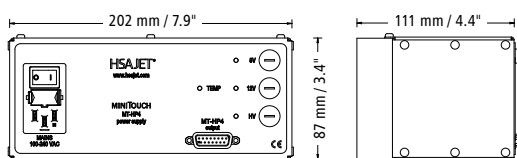
- Telescope Mountkit for compact mount of 1 or 2 pen side/low and MiniTouch
- Telescope Mountkit for 1, 2, 3 or 4 pen side/low printhead
- Sensor and encoder
- Bridges & Brackets
- Mountings (Inocon 53 mm)
- Printheads (see other flyer)
- Distributor box

### MTHP4



TELESCOPE MOUNT KIT IS AVAILABLE, FOR ORDER, SEPARATELY

### POWER SUPPLY



CHECK OUR WEBSITE FOR LATEST REVISION OF THIS DATASHEET

DISTRIBUTOR:



150 William Street  
Perth Amboy, NJ 08861  
Toll Free: 1-800-298-8936  
Local: 1-732-324-0800  
Fax: 1-732-324-4488  
sales@hsausa.com  
www.hsausa.com