



VxJet 9x/18x

Integrated Valve Jet Printheads



VxJet 9x/18x

Integrated Valve Jet Printheads

Features and Benefits:



Industrial Valve Printhead design features 100% environmentally sealed aluminum housings and stainless steel faceplates for long lasting results in demanding environments.

System Control & Ink Delivery Hub design allows a single system to power and supply ink to multiple printheads on separate lines while maintaining system controls safely away from the production line.

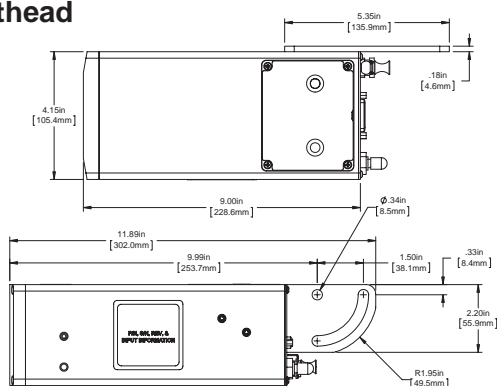
Autocode Message Creation offers built-in code formats such as date codes, lot codes and batch codes to quickly develop messages for printing.

Wide Ink Variety including water and alcohol based formulations are available to print on almost any type of surface including corrugate, plastic, metal, wood, gypsum and PVC.

System Specifications:

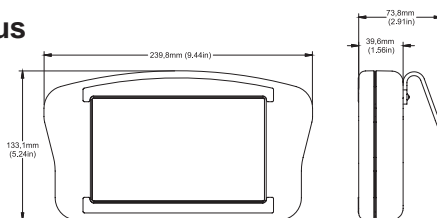
Controller	Marksman HHI Plus
Connectivity	1-Ethernet, 1-USB, 2-RS232
Print Height	5/18" to 7/8" (9x), 5/18" to 2" (18x)
Lines of Print	Up to 3 stacked lines (18x)
Print Technology	Drop on Demand, Solenoid, 1000hz
Print Speed	Up to 650 fpm
Print Orientation	360° for Top, Side and Bottom Printing
Ink Type	Porous or Non-Porous
Throw Distance	Up to 1/2"
Operating Conditions	Temperature: 40° - 104° F (5° - 40° C); Relative Humidity: 10% - 90% (non-condensing)
Ink Delivery	VxJet IDS Large Bulk Supply Supports Multiple Printheads
Ink Supplies	5 Gallon Pails
Substrates	Porous and Non-Porous
Autocodes	Time, Date, Use By, Julian, Count, Shifts, Variable Input, User Defined

Dimensions: 9x Printhead

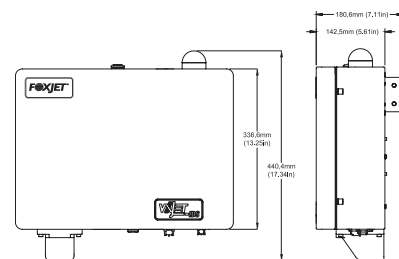


Dimensions:

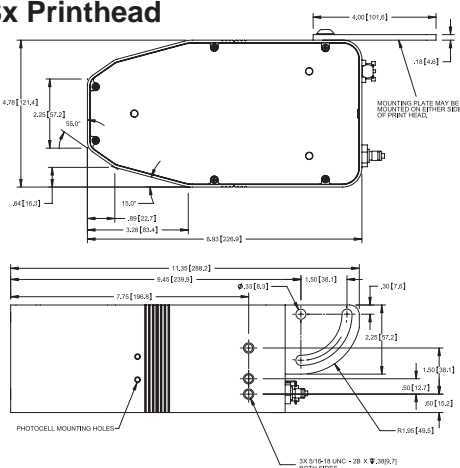
Marksman HHI Plus



Dimensions: VxJet IDS



Dimensions: 18x Printhead



videos



inkjet coders

product info

scan me



1 Research Park Drive • St. Charles, MO 63304-5685
Ph: 800.369.5384 • www.foxjet.com • info@foxjet.com

www.foxjet.com
youtube.com/itwfoxjet